

Disc Capsule Filter

Description and use

Disc capsule filters are made of polytetrafluoroethylene which have excellent resistance to organic and inorganic chemical corrosion properties along with natural hydrophobicity. It can be widely used in sterile ventilation processes such as biotechnology, pharmaceuticals, laboratories etc. It's easy to use and operate, the lightweight design (only 20g) makes the structure very stable and reliable and will not appear hose bending to adversely affect ventilation.

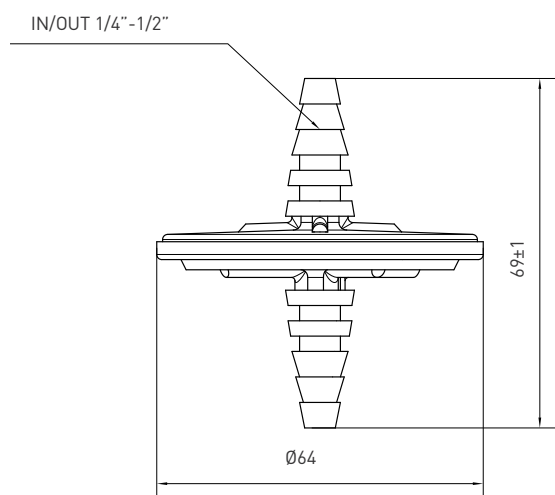


Typical Applications

- Sterile ventilation of culture containers and CO² incubators
- Sterile ventilation of fermenters and storage tanks
- Autoclave steam sterilization air exchange
- Removal of gas particles

Typical Applications

OD	64mm
Length	69mm
Inlet/Outlet	1/4"-1/2"HB



Features

- PTFE components provide broad chemical compatibility
- Natural hydrophobicity, strong resistance property to chemical corrosions
- High flow rate and low extractables
- Lightweight structure, easy to install and dismantle
- 100% Integrity Test

Construction of Materials

Housing	PP
Media	Hydrophobic PTFE

Performance

Max. Operating Pressure	3 Bar@20°C
Autoclaving	125°C-30min-60cycles
Filtration Area	20cm ²

Ordering information			
Product Code	Pore size	Package	Sterilization
VF50ASPPT002AX01	0.22µm	10/pk	YES
VF50ASPPT004AX01	0.45µm	10/pk	YES
VF50ANPPT002AC01	0.22µm	100/pk	NO
VF50ANPPT004AC01	0.45µm	100/pk	NO